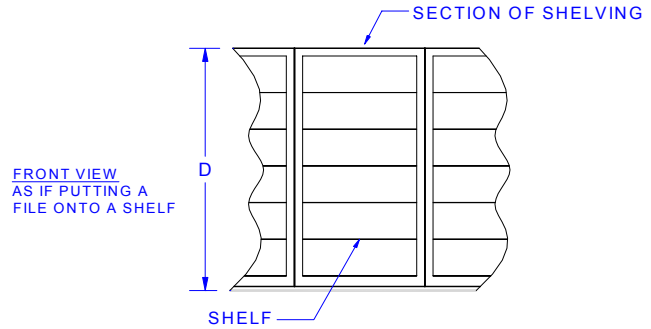
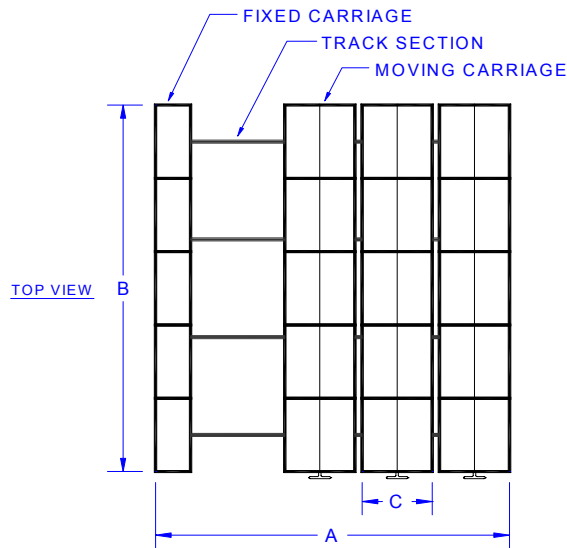


AISLE SAVER CONFIGURATION SURVEY



1. What is the overall length of the track? [DIM A] _____
2. How many track sections are in the system? _____
3. What is the overall length of the carriage? [DIM B] _____
4. What is the overall width of the carriage? [DIM C] _____
5. How many moving carriages are there? _____
6. How many fixed carriages are there? _____
7. If any fixed carriages, are they single sided or double sided?
 What is the width of the fixed carriages? _____
7. How tall are the carriages? [DIM D] _____
8. How many sections of shelving are there in each row? _____
9. How many shelves are there in each section? _____

Is system mechanical assist (hand crank) or electric? _____

End-user address: _____

Contact Information : _____

Equipment model #, S/N, Date of purchase, order #:

Are tracks flush with building floor or on a raised deck (if not sure provide digital pictures): _____

Media stored on system: (i.e. legal/letter size documents, microfilm?): _____

Type of shelving: (bolted shelving or snap on): _____